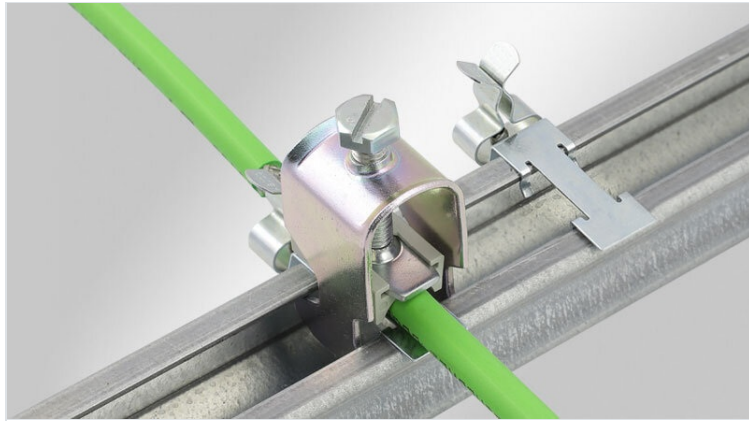


EMC shield clamps for C section rail C30

with or without integrated strain relief



EMC shield clamps are used, where the shield of cables must be connected to the earth potential. They are easy to use and effective in earthing single cable shields.

When using types with integrated strain relief cables can be fixed via the cable jacket using cable ties. Thus strain relief in accordance with EN 62444 is achieved. We also offer EMC shield clamps with double strain relief function acc. to PROFINET installation guidelines.

Due to its special design the clamping ranges of the MSKL are very large while the dimensions are comparatively small. (Example: MSKL 3-12, assembled with a 12 mm cable shield: width 26.25 mm).

The shield clamps can be mounted on C section rails C30 using the SC screw foot.

With the LFC cable shield clamp the cable shield is directly contacted at the C section rail. Your existing cable clamp can still be used for strain relief. The LFC clamp is simply snapped onto the C-rail and is then fixed using the screw of your cable clamp.

Now available: sets consisting of EMC shield clamp LFC and matching CCL bracket clip.

Specifications

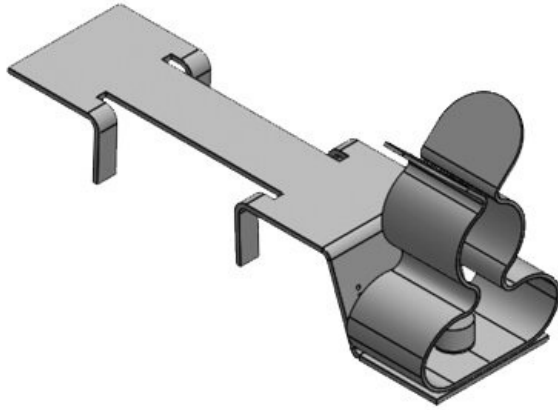
Material	Shield clamp: Spring steel, zinc plated Shield bracket: Mild steel, galvanically zinc plated Screw foot: Mild steel, galvanically zinc plated
Properties	vibration proof
Mounting options	Screw type mounting, Clamping, Snap-in

Advantages & benefits

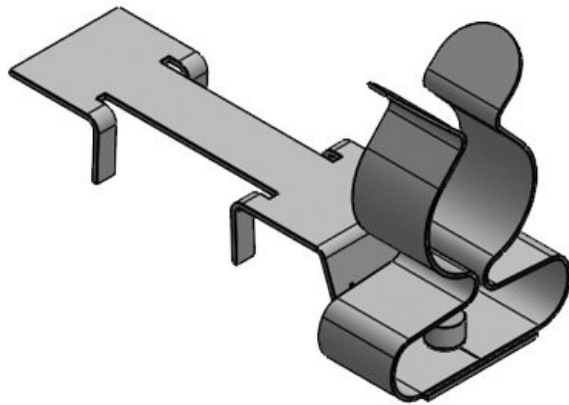
- Partially with integrated strain relief
- Large contact area
- Shield contact and strain relief separated
- Easy assembly and removal
- The spring design requires no adjustments and will permanently maintain contact to the cable shield
- Shock and vibration resistant, maintenance free
- Integrated double strain relief function acc. to PROFINET installation guidelines
- For mounting on all standard C section rails C30 (16-17 mm)
- LFC: space-saving due to the combination of the LFC shield clamp with a cable clamp

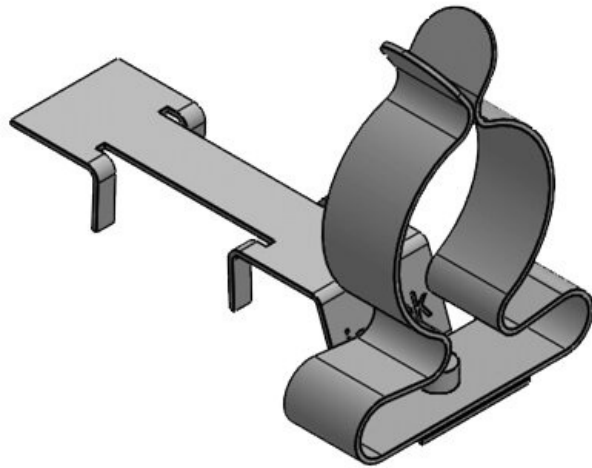
Product types & sizes

Part No.	37670.100	Min. shield diam.	3 mm
EAN	4251269322	Max. shield diam.	12 mm
Package quantity	10	Width	15 mm
No. of shield clamps	1	Height	22 mm
Length	45,9 mm		
Strain relief (acc. to EN 62444)	1		
For max. no. of cables	1		

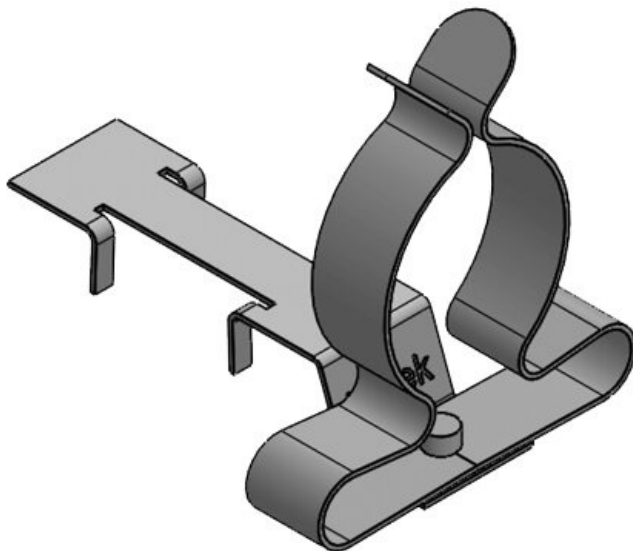


Part No.	37671.100	Min. shield diam.	8 mm
EAN	4251269322	Max. shield diam.	18 mm
Package quantity	10	Width	20 mm
No. of shield clamps	1	Height	28,2 mm
Length	45,9 mm		
Strain relief (acc. to EN 62444)	1		
For max. no. of cables	1		



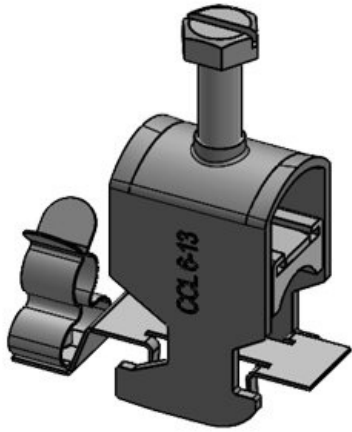


Part No.	37672.100	Min. shield diam.	17 mm
EAN	4251269322	Max. shield diam.	22 mm
Package quantity	10	Width	26,5 mm
No. of shield clamps	1	Height	36 mm
Length	45,9 mm		
Strain relief (acc. to EN 62444)	1		
For max. no. of 1 cables			

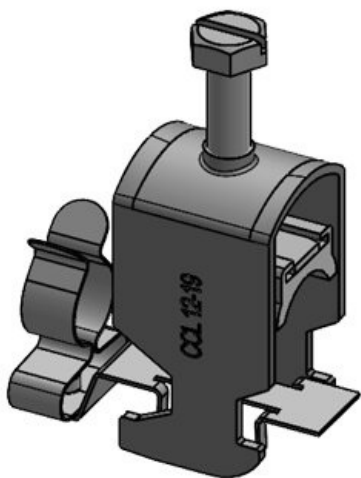


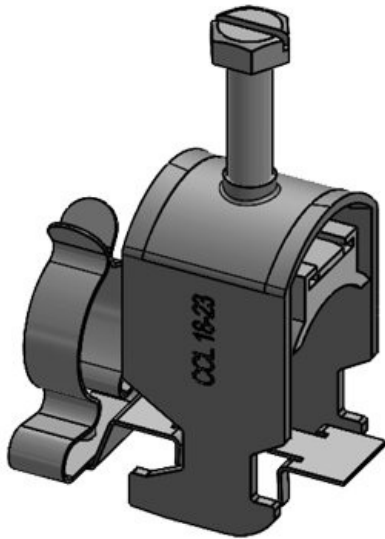
Part No.	37673.100	Min. shield diam.	22 mm
EAN	4251269322	Max. shield diam.	30 mm
Package quantity	10	Width	35 mm
No. of shield clamps	1	Height	40,5 mm
Length	45,9 mm		
Strain relief (acc. to EN 62444)	1		
For max. no. of 1 cables			

Part No.	37680	Min. shield	3 mm
EAN	4251269323	diam.	
	652	Max. shield	12 mm
Package	10	diam.	
quantity		Width	19 mm
No. of shield	1	Height	36 mm
clamps		Mounting	52 mm
Length	45,9 mm	height	
Strain relief	1		
(acc. to EN			
62444)			
For max. no. of	1		
cables			

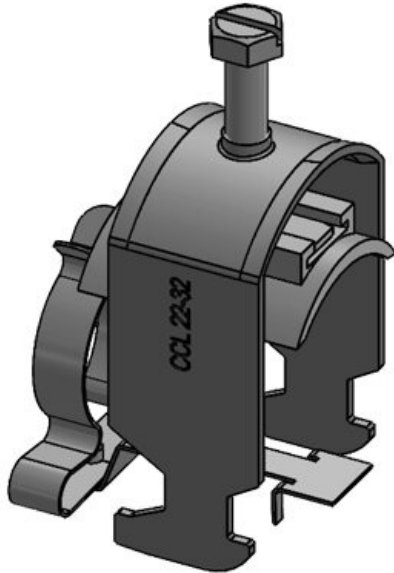


Part No.	37681	Min. shield	8 mm
EAN	4251269323	diam.	
	669	Max. shield	18 mm
Package	10	diam.	
quantity		Width	22 mm
No. of shield	1	Height	36 mm
clamps		Mounting	57 mm
Length	45,9 mm	height	
Strain relief	1		
(acc. to EN			
62444)			
For max. no. of	1		
cables			



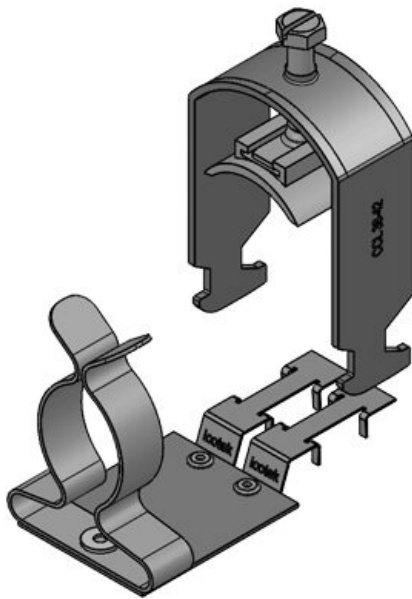


Part No.	37682	Min. shield	17 mm
EAN	4251269323	diam.	
	676	Max. shield	22 mm
Package	10	diam.	
quantity		Width	26,5 mm
No. of shield	1	Height	38 mm
clamps		Mounting	62 mm
Length	45,9 mm	height	
Strain relief	1		
(acc. to EN			
62444)			
For max. no. of	1		
cables			

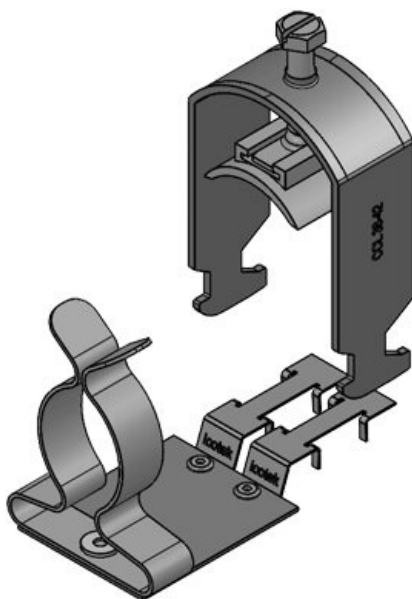


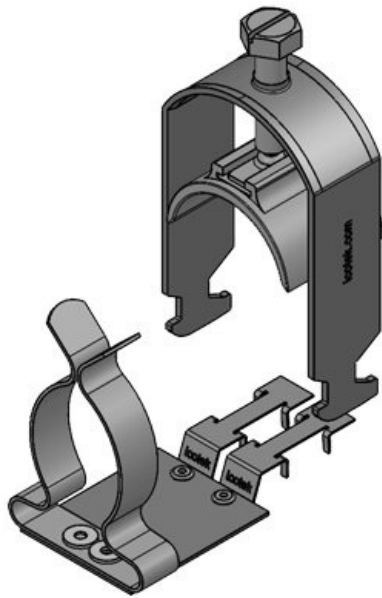
Part No.	37683	Min. shield	22 mm
EAN	4251269323	diam.	
	683	Max. shield	30 mm
Package	10	diam.	
quantity		Width	38 mm
No. of shield	1	Height	52 mm
clamps		Mounting	72 mm
Length	45,9 mm	height	
Strain relief	1		
(acc. to EN			
62444)			
For max. no. of	1		
cables			

Part No.	37688	Min. shield	30 mm
EAN	4251269324	diam.	
	192	Max. shield	38 mm
Package	10	diam.	
quantity		Width	44 mm
No. of shield	1	Height	62 mm
clamps		Mounting	78 mm
Length	87,7 mm	height	
Strain relief	1		
(acc. to EN			
62444)			
For max. no. of	1		
cables			

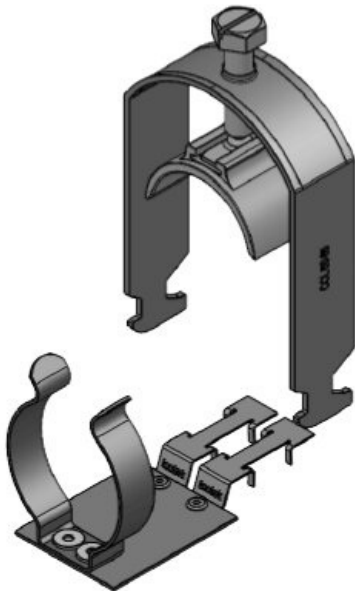


Part No.	37684	Min. shield	30 mm
EAN	4251269323	diam.	
	782	Max. shield	38 mm
Package	10	diam.	
quantity		Width	48 mm
No. of shield	1	Height	67 mm
clamps		Mounting	82 mm
Length	87,7 mm	height	
Strain relief	1		
(acc. to EN			
62444)			
For max. no. of	1		
cables			



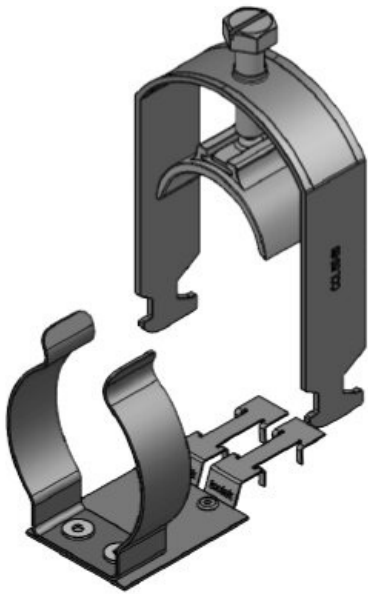


Part No.	37685	Min. shield	38 mm
EAN	4251269323	diam.	
	799	Max. shield	48 mm
Package	10	diam.	
quantity		Width	55 mm
No. of shield	1	Height	83 mm
clamps		Mounting	101 mm
Length	87,7 mm	height	
Strain relief	1		
(acc. to EN			
62444)			
For max. no. of	1		
cables			



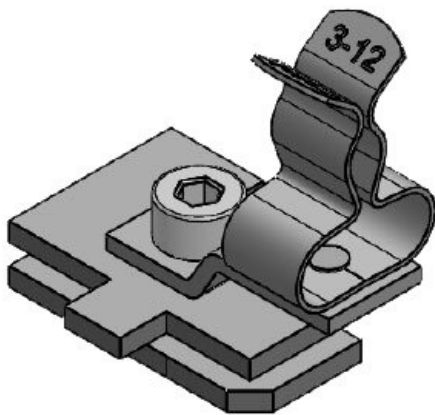
Part No.	37686	Min. shield	44 mm
EAN	4251269323	diam.	
	805	Max. shield	56 mm
Package	10	diam.	
quantity		Width	69 mm
No. of shield	1	Height	98 mm
clamps		Mounting	116 mm
Length	87,7 mm	height	
Strain relief	1		
(acc. to EN			
62444)			
For max. no. of	1		
cables			

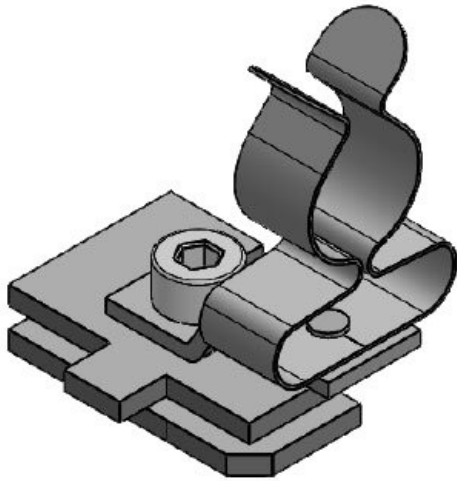
Part No.	37687	Min. shield	56 mm
EAN	4251269323	diam.	
	928	Max. shield	62 mm
Package	10	diam.	
quantity		Width	69 mm
No. of shield	1	Height	98 mm
clamps		Mounting	116 mm
Length	87,7 mm	height	
Strain relief	1		
(acc. to EN			
62444)			
For max. no. of	1		
cables			



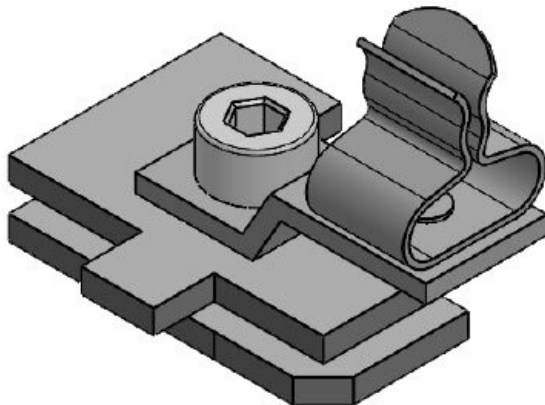
SC|LF|MSKL 3-12

Part No.	37608.100	Length	32 mm
EAN	4251269320	Width	22,5 mm
	149	Height	34,5 mm
Package	10	Mounting	28 mm
quantity		height	
No. of shield	1		
clamps			
For max. no. of	1		
cables			
Min. shield	3 mm		
diam.			
Max. shield	12 mm		
diam.			





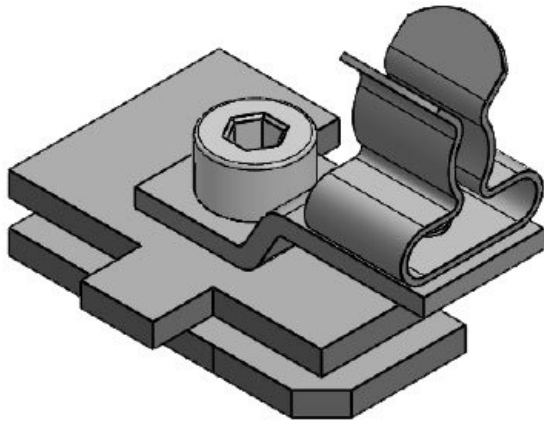
Part No.	37610.100	Length	32 mm
EAN	4251269320	Width	22,5 mm
	156	Height	40,7 mm
Package quantity	10	Mounting height	34,2 mm
No. of shield clamps	1		
For max. no. of cables	1		
Min. shield diam.	8 mm		
Max. shield diam.	18 mm		



Part No.	36251.100	Length	32
EAN	4251269320	Width	22,5
	071	Height	26,9
Package quantity	10	Mounting height	20,4
No. of shield clamps	1		
For max. no. of cables	1		
Min. shield diam.	1,5 mm		
Max. shield diam.	3 mm		

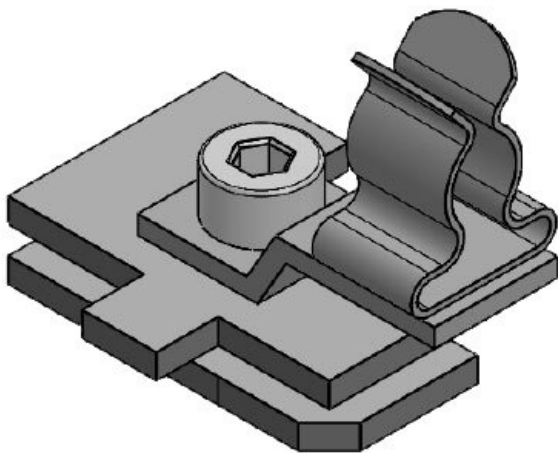
SC|LF|SKL 3-6

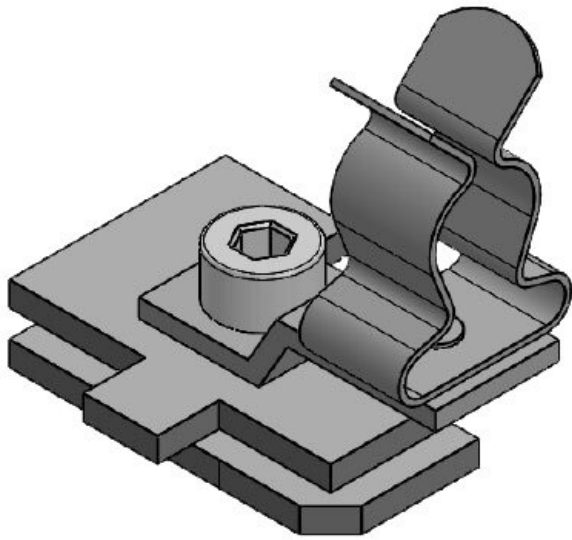
Part No.	36253.100	Length	32 mm
EAN	4251269320	Width	22,5 mm
	088	Height	27,5 mm
Package quantity	10	Mounting height	21 mm
No. of shield clamps	1		
For max. no. of cables	1		
Min. shield diam.	3 mm		
Max. shield diam.	6 mm		



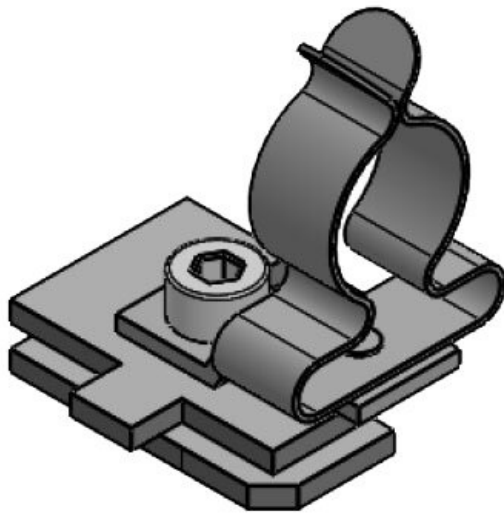
SC|LF|SKL 6-8

Part No.	36255.100	Length	32 mm
EAN	4251269320	Width	22,5 mm
	095	Height	29 mm
Package quantity	10	Mounting height	22,5 mm
No. of shield clamps	1		
For max. no. of cables	1		
Min. shield diam.	6 mm		
Max. shield diam.	8 mm		



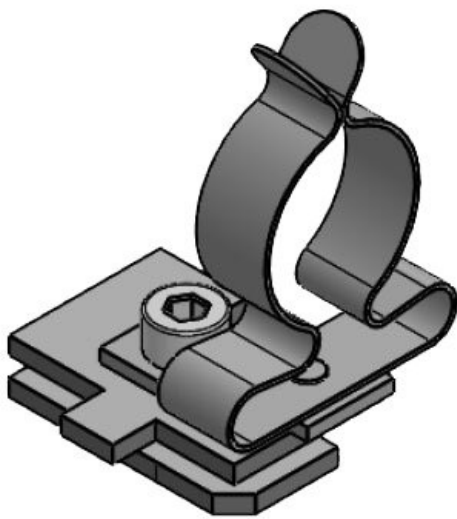


Part No.	36256.100	Length	32 mm
EAN	4251269320	Width	22,5 mm
	101	Height	34 mm
Package quantity	10	Mounting height	27,5 mm
No. of shield clamps	1		
For max. no. of cables	1		
Min. shield diam.	8 mm		
Max. shield diam.	11 mm		

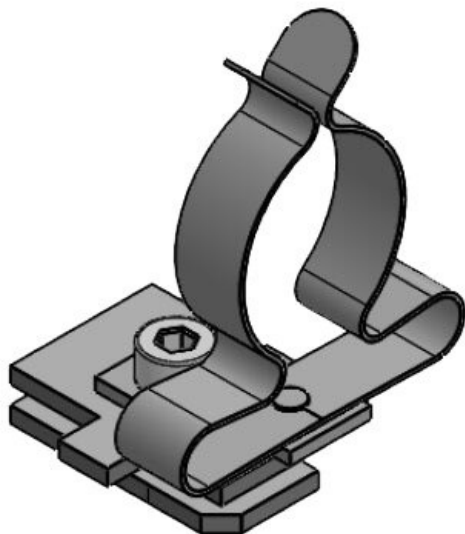


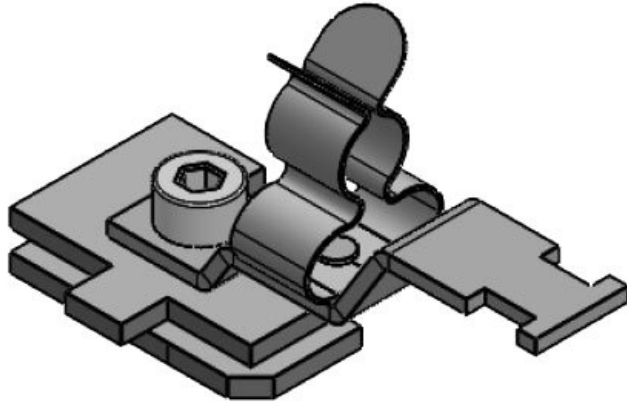
Part No.	36257.100	Length	32 mm
EAN	4251269320	Width	23 mm
	118	Height	41 mm
Package quantity	10	Mounting height	34,5 mm
No. of shield clamps	1		
For max. no. of cables	1		
Min. shield diam.	11 mm		
Max. shield diam.	17 mm		

Part No.	36258.100	Length	32 mm
EAN	4251269320	Width	26,5 mm
	125	Height	48,5 mm
Package quantity	10	Mounting height	42 mm
No. of shield clamps	1		
For max. no. of cables	1		
Min. shield diam.	17 mm		
Max. shield diam.	22 mm		

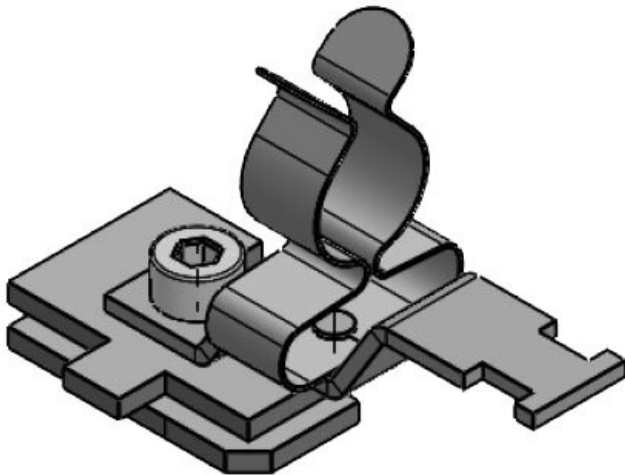


Part No.	36259.100	Length	32 mm
EAN	4251269320	Width	35 mm
	132	Height	52,9 mm
Package quantity	10	Mounting height	46,4 mm
No. of shield clamps	1		
For max. no. of cables	1		
Min. shield diam.	22 mm		
Max. shield diam.	30 mm		



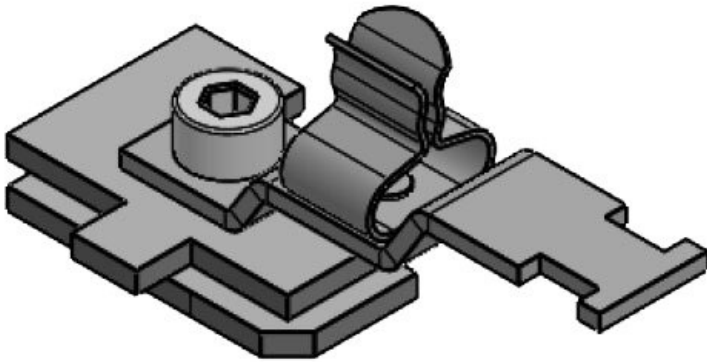


Part No.	37612.100	Max. shield diam.	12 mm
EAN	4251269320	Length	54,3 mm
	248	Width	22,5 mm
Package quantity	10	Height	34,5 mm
No. of shield clamps	1	Mounting height	28 mm
Strain relief (acc. to EN 62444)	1		
For max. no. of cables	1		
Min. shield diam.	3 mm		

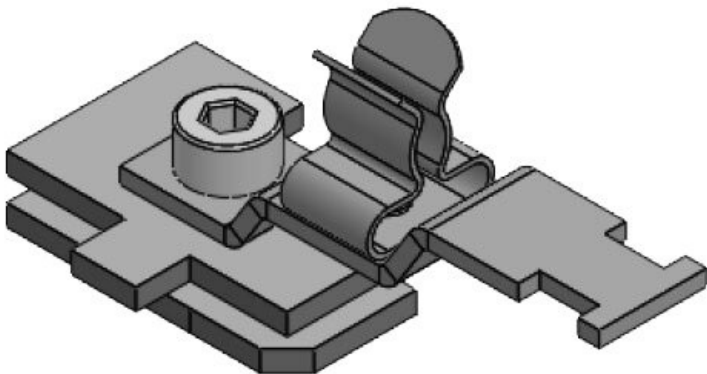


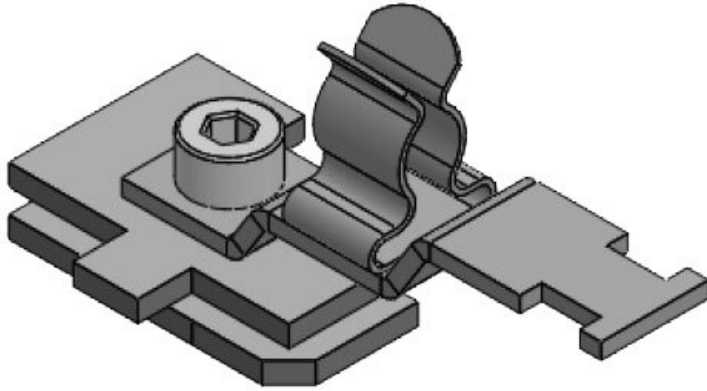
Part No.	37614.100	Max. shield diam.	18 mm
EAN	4251269320	Length	54,3 mm
	255	Width	22,5 mm
Package quantity	10	Height	40,7 mm
No. of shield clamps	1	Mounting height	34,2 mm
Strain relief (acc. to EN 62444)	1		
For max. no. of cables	1		
Min. shield diam.	8 mm		

Part No.	36910.100	Max. shield diam.	3 mm
EAN	4251269320	Length	52,4 mm
	163	Width	22,5 mm
Package quantity	10	Height	26,9 mm
No. of shield clamps	1	Mounting height	20,4 mm
Strain relief (acc. to EN 62444)	1		
For max. no. of cables	1		
Min. shield diam.	1,5 mm		

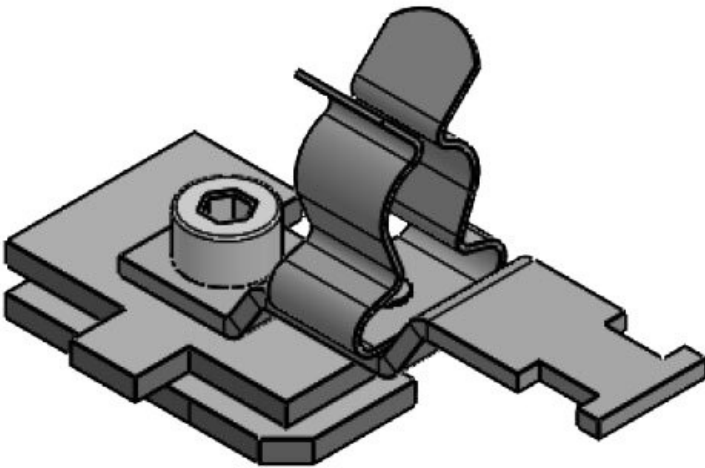


Part No.	36915.100	Max. shield diam.	6 mm
EAN	4251269320	Length	52,4 mm
	170	Width	22,5 mm
Package quantity	10	Height	27,5 mm
No. of shield clamps	1	Mounting height	21 mm
Strain relief (acc. to EN 62444)	1		
For max. no. of cables	1		
Min. shield diam.	3 mm		



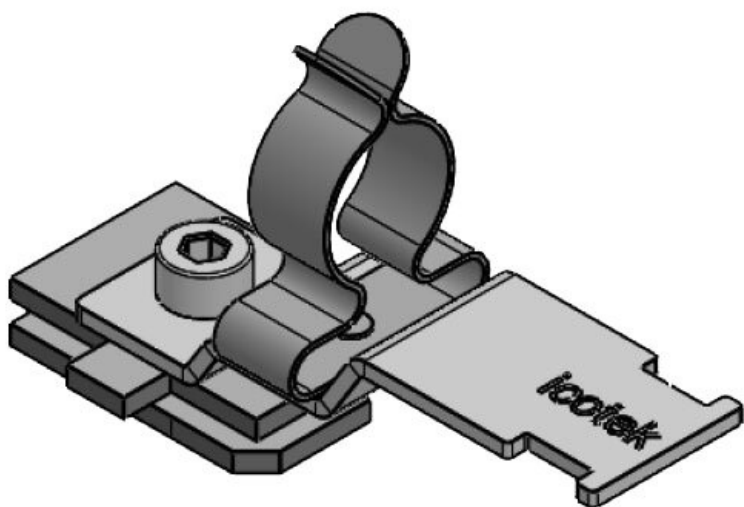


Part No.	36920.100	Max. shield diam.	8 mm
EAN	4251269320	Length	52,4 mm
	187	Width	22,5 mm
Package quantity	10	Height	29 mm
No. of shield clamps	1	Mounting height	22,5 mm
Strain relief (acc. to EN 62444)	1		
For max. no. of cables	1		
Min. shield diam.	6 mm		

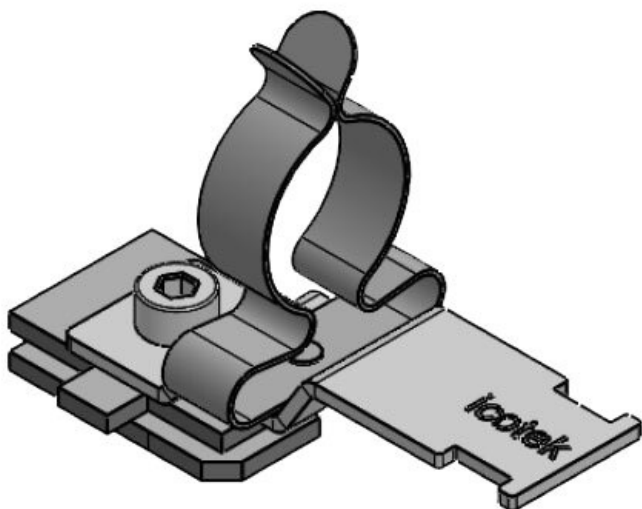


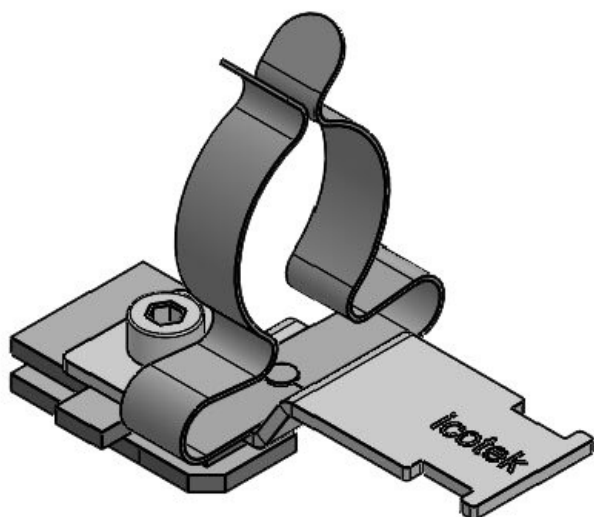
Part No.	36925.100	Max. shield diam.	11 mm
EAN	4251269320	Length	52,4 mm
	194	Width	22,5 mm
Package quantity	10	Height	34 mm
No. of shield clamps	1	Mounting height	27,5 mm
Strain relief (acc. to EN 62444)	1		
For max. no. of cables	1		
Min. shield diam.	8 mm		

Part No.	36930.100	Max. shield diam.	17 mm
EAN	4251269320	Length	62 mm
	200	Width	23 mm
Package quantity	10	Height	41 mm
No. of shield clamps	1	Mounting height	34,5 mm
Strain relief (acc. to EN 62444)	1		
For max. no. of cables	1		
Min. shield diam.	11 mm		

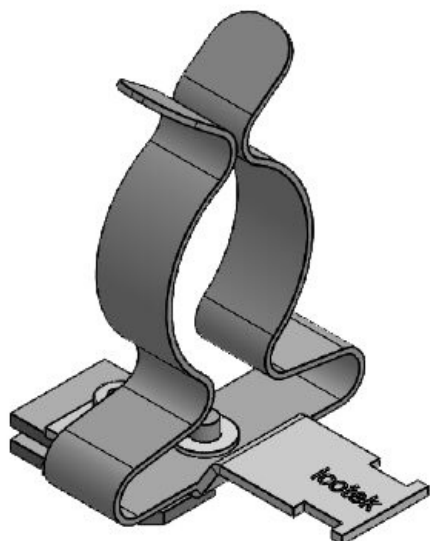


Part No.	36935.100	Max. shield diam.	22 mm
EAN	4251269320	Length	62 mm
	217	Width	26,5 mm
Package quantity	10	Height	48,5 mm
No. of shield clamps	1	Mounting height	42 mm
Strain relief (acc. to EN 62444)	1		
For max. no. of cables	1		
Min. shield diam.	17 mm		



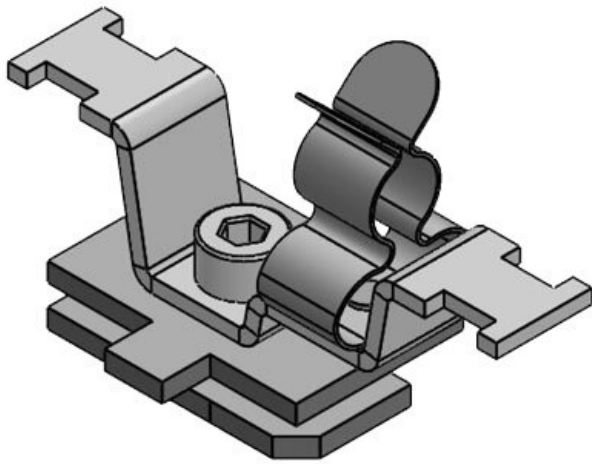


Part No.	36940.100	Max. shield	30 mm
EAN	4251269320	diam.	
	224	Length	62 mm
Package	10	Width	35 mm
quantity		Height	52,9 mm
No. of shield	1	Mounting	46,4 mm
clamps		height	
Strain relief	1		
(acc. to EN			
62444)			
For max. no. of	1		
cables			
Min. shield	22 mm		
diam.			

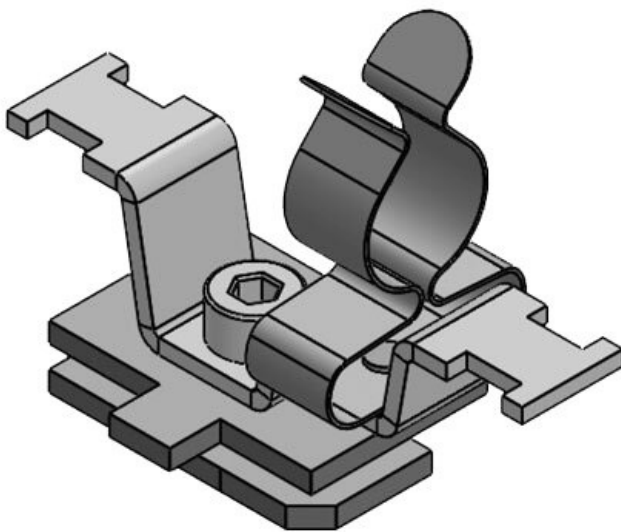


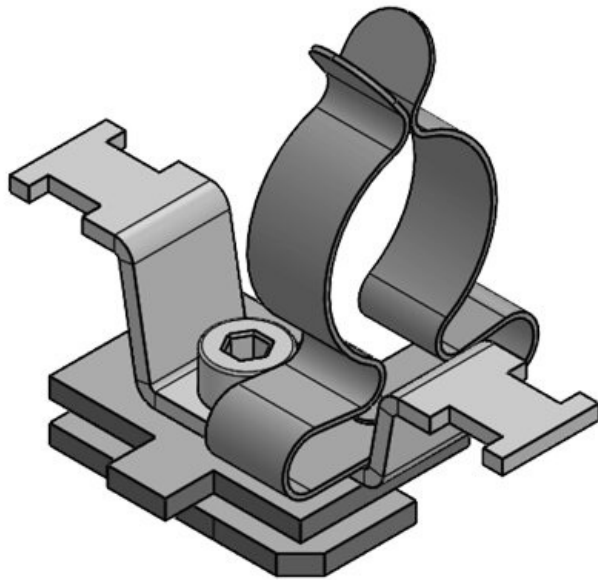
Part No.	36941.100	Max. shield	38 mm
EAN	4251269320	diam.	
	231	Length	62 mm
Package	10	Width	46,5 mm
quantity		Height	76,5 mm
No. of shield	1	Mounting	70 mm
clamps		height	
Strain relief	1		
(acc. to EN			
62444)			
For max. no. of	1		
cables			
Min. shield	30 mm		
diam.			

Part No.	37612.150	For max. no. of	1
EAN	4251269321	cables	
	337	Min. shield	3 mm
Package	10	diam.	
quantity		Max. shield	12 mm
No. of shield	1	diam.	
clamps		Height	28 mm
Length	51 mm		
Width	22,5 mm		
Strain relief	1		
(acc. to EN			
62444)			

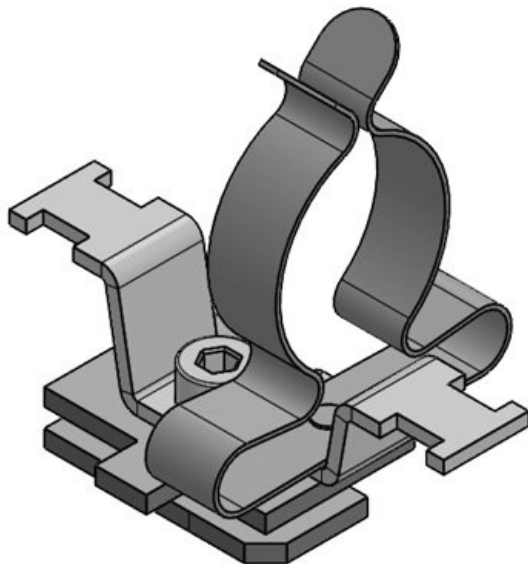


Part No.	37614.150	For max. no. of	1
EAN	4251269321	cables	
	344	Min. shield	8 mm
Package	10	diam.	
quantity		Max. shield	18 mm
No. of shield	1	diam.	
clamps		Height	34,2 mm
Length	51 mm		
Width	22,5 mm		
Strain relief	1		
(acc. to EN			
62444)			





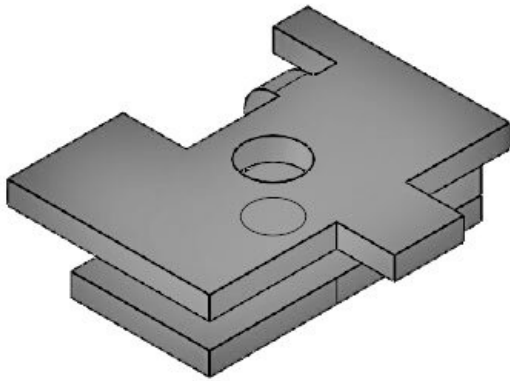
Part No.	37594.150	For max. no. of 1
EAN	4251269324	cables
	895	Min. shield 17 mm
Package quantity	10	diam.
No. of shield clamps	1	Max. shield 22 mm
Length	51 mm	diam.
Width	22,5 mm	Height 48,5 mm
Strain relief (acc. to EN 62444)	1	



Part No.	37595.150	For max. no. of 1
EAN	4251269324	cables
	901	Min. shield 22 mm
Package quantity	10	diam.
No. of shield clamps	1	Max. shield 30 mm
Length	51 mm	diam.
Width	22,5 mm	Height 53 mm
Strain relief (acc. to EN 62444)	1	

SC single, with twist protection

Part No.	36231	No. of screw	1
EAN	4251269302	holes	
	251	Diam. of screw	4,1 mm
Package quantity	10	holes	
Length	26 mm	Thread	M4
Width	22,5 mm		
Height	6,5 mm		
Mounting height	2 mm		



icotek[®]
smart cable management